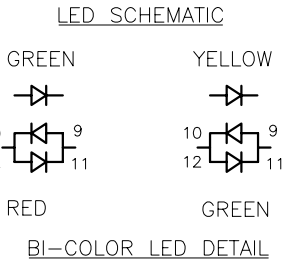
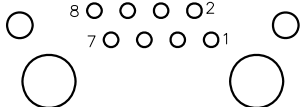
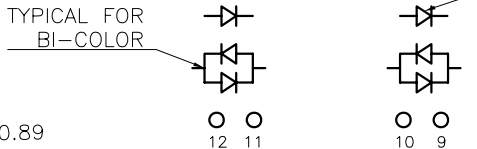
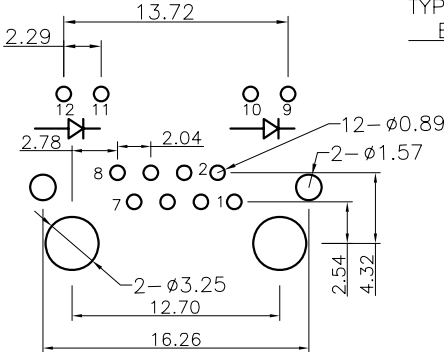
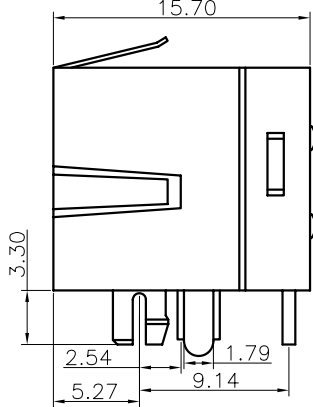
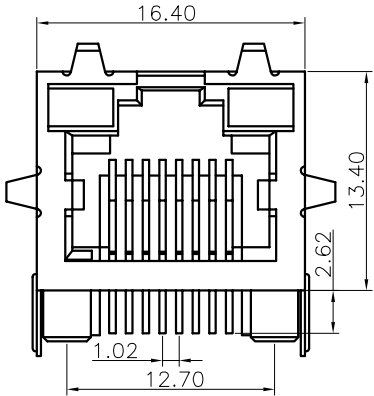


SPECIFICATIONS

- Current Rating: 1.5 Amps
- Insulator Resistance: 1000 Megohms min.
- Contact Resistance: 20 m ohms max.
- Dielectric withstanding: AC 500V
- Operating Temperature: -25°C~+105°C
- Contact Material: Copper Alloy
- Insulator Material: Polyester, PBT UL 94V-0
- Shell Material: Copper Alloy
- Finish: Gold Plating



AMJ-20811X XXX-G
 Color 0=Black 8=Gray
 RoHS Compliant Contact Plating

Definition	Code
Full Gold Flash:	V01
6u" Gold:	V04

GENERAL TOLERANCE UNLESS OTHERWISE SPECIFIED	
XXX. ± X	.XX ± 0.15
XX. ± X	.XXX ± X
X. ± X	.X' ± 3'
.X ± 0.25	.X' ± X'

REV.	1	DRAWN	01/11/08
DATE	01/11/08	CHECKED	
SCALE	As shown	APPROVED	
UNIT	mm		



AMJ Series
 RJ-45, R/A, 8P8C, With LED's
 PRODUCT NO. AMJ-20811xxxx-G
 FILE NAME: AMJ-208-G LF APD.DWG

APTOS Technology CONFIDENTIAL
 This document, and all information it contains, are the confidential, proprietary property of APTOS Technology. Disclosure, duplication or distribution of this document, or any information it contains, in whole or part, without prior written permission from APTOS Technology is strictly prohibited